



INSTRUCTION FOR USE AND  
SETTINGS  
Opera

We congratulate you on the purchase of your timepiece and thank you for your confidence in us.

We hope that it will bring you great satisfaction.

Your Manufacture Royale timepiece requires regular maintenance, which will allow you to guarantee its longevity.

It is recommended to carry out a full service every 3 to 4 years for a watch with mechanical movement, automatic or manual winding.

We recommend that you read the instructions for use, which will provide you with the necessary information for optimal use of your watch.

Precision object

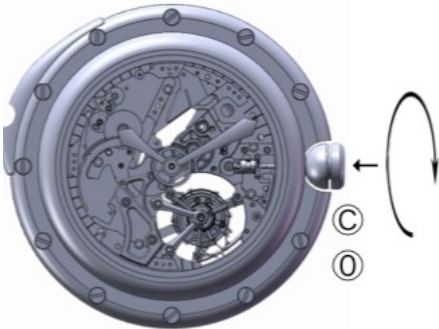
Our master watchmakers have paid the greatest attention to the assembly and adjustment of your watch. Its precision is subject to the influence of earth's attraction, magnetic fields, shocks, as well as the ageing of oils. If you notice any discrepancies in the rate of movement, we recommend that you have your timepiece tested by your authorized Manufacture Royale partner, who will take care to do whatever is necessary to ensure the accuracy of your watch.

## SETTING THE TIME

### Winding (position 0)

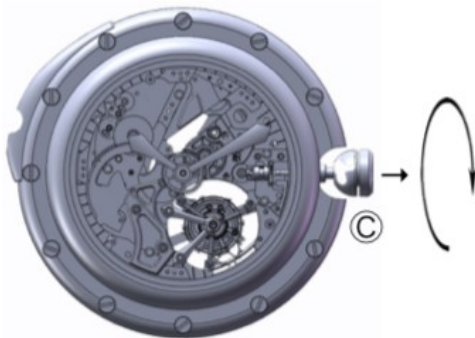


The winding is carried out by turning the crown clockwise. The movement is fully wound when the crown is blocked. Be careful not to force beyond the blockage as you will damage the movement. Your timepiece has a power reserve of 108 hours, but we recommend that you wind it up daily to ensure optimal operation.



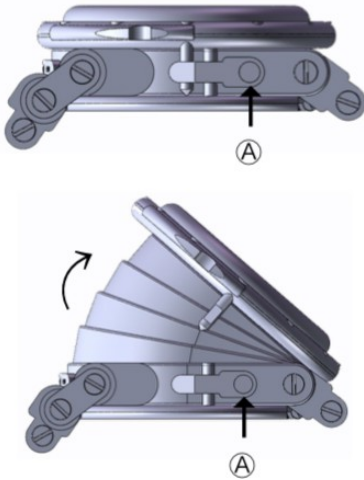
### Setting the time (position 1)

It is necessary to pull the crown (C) to the right in order to place it in position (1)



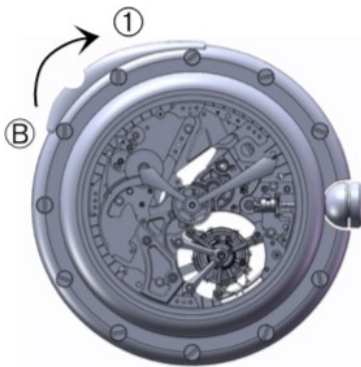
The setting is made by turning the crown clockwise until the desired hour and minutes are displayed. When the operation is complete, push the crown back to position

## DEPLOYMENT OF THE RESONANCE CAGE

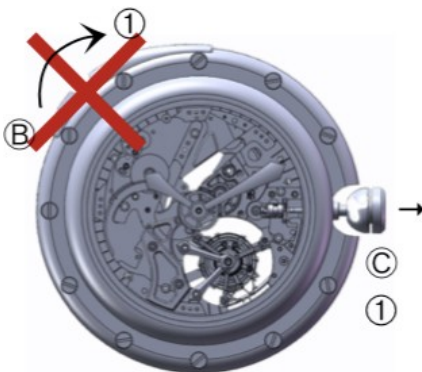


It is necessary to press and hold the deployment lock (A) of the Opera located at 9 o'clock on the bezel and then open the case by grasping it from above and gently pulling it.

## TRIGGERING THE MINUTE REPEATER



The trigger (B) of the Opera located at 9 o'clock on the bezel allows the minute repeater mechanism to be armed. To do so, it must be pulled to the full towards 11 o'clock and then released. Once the hours, quarters and minutes have been rung, allow the mechanism to fully discharge for at least 30 seconds.



Be careful never to lift the lock of the minute repeater (B) in position (1) when the winding stem (C) is pulled into position (1).

---

## MOVEMENT CHARACTERISTICS

---

MR01 hand-wound mechanical movement

Diameter	32mm
Height	5,45mm
Number of components	319
Number of rubies	29
Power reserve	108 hours
Frequency	21'600 vibration hours
Display	hours, minutes and minute repeater

---

## WATER RESISTANCE

---

Your Manufacture Royale watch is water-resistant to 3bar/atm. It is recommended to use your watch according to its waterproofing characteristics. To protect the movement from moisture, make sure that the crown is always pushed back against the case (position 1), especially after setting the time or adjusting the functions if necessary.

---

## CONTACT

---

For any request, please contact Manufacture Royale  
[info@manufacture-royale.com](mailto:info@manufacture-royale.com)

---

## INTERNATIONAL WARRANTY

---

### Conditions of Manufacture Royale International Warranty

The International Warranty below applies to Manufacture Royale brand products sold or presented for repair under the warranty in all countries.

Your Manufacture Royale watch is guaranteed against any manufacturing defect for two years from the date of purchase, on the following terms.

To be eligible for the 24-month International Warranty, Manufacture Royale brand products must be purchased exclusively from authorized Manufacture Royale dealers. Maintenance and repair work must also be carried out by an authorized Manufacture Royale dealer. If these conditions are not met, no warranty claims may be made.

Any part found defective due to a manufacturing defect duly noted by our technical services will be repaired or replaced free of charge, at the discretion of Manufacture Royale.

The Manufacture Royale International Warranty is only valid if the warranty card enclosed with the watch in its case is duly completed, dated, with the serial number identified (on the back of your watch) and stamped and signed by the authorized Manufacture Royale dealer who sold you your timepiece.

The following are expressly excluded from the Manufacture Royale International Warranty:

- defects resulting from accidents, improper or abusive use or handling (such as shocks, impact marks, crushing, excessive temperatures, strong magnetic fields)
- unauthorized modification or repair
- the consequences of normal wear and tear and ageing of the watch, strap and crystal
- loss of water resistance after two years from the date of purchase if your watch is waterproof, any defect resulting from contact with water if your watch is not waterproof.